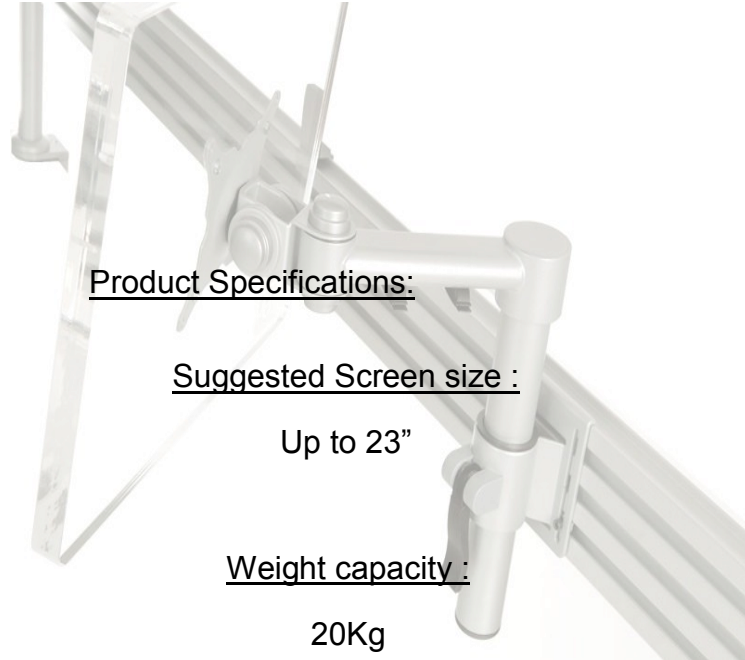
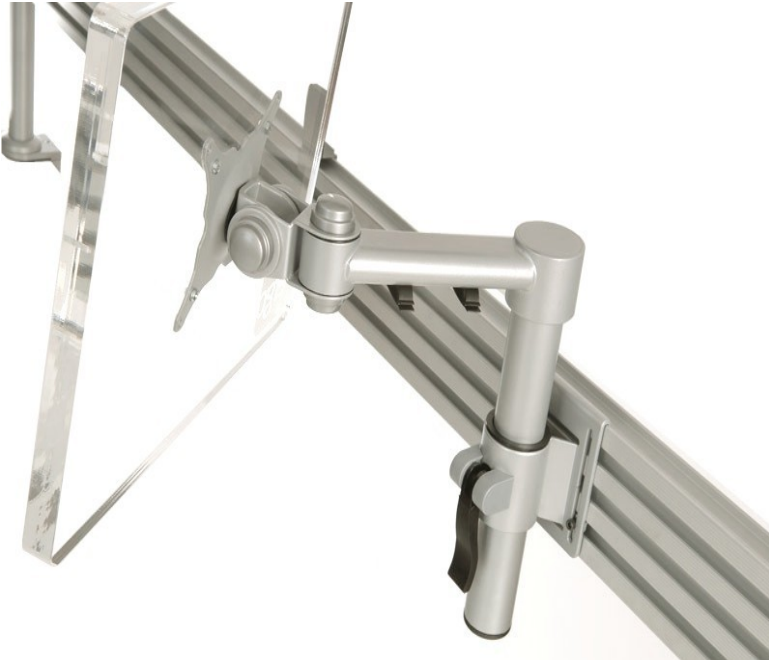
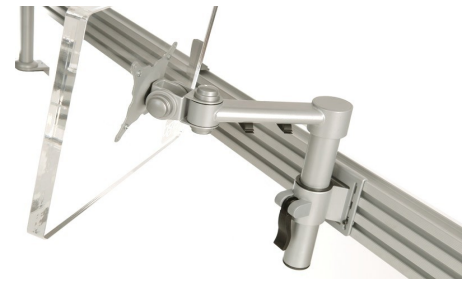




STREAM RANGE by CMS Ergo



Product Specifications:

Suggested Screen size :

Up to 23"

Weight capacity :

20Kg

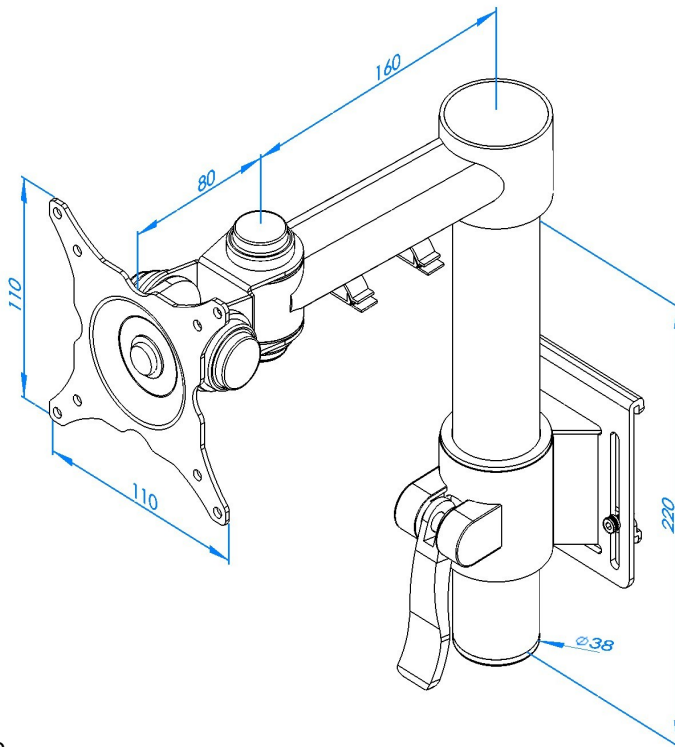
VESA compliance :

75mm x 75mm
& 100mm x 100mm

Product code & description :

STREAMCOMB05 - Tool rail arm -
Single beam

- Universal fixing designed to work with most Tool rail / slat wall solutions
- Height adjustment ranges up to 160mm
- 240mm at full extension
- Lockable quick release VESA function
- Full range of movement including height adjustment, tilt, rotation and reach
- Full cable management
- Comes ready assembled for quick and easy installation



Ergo
Downsview House
The Grove Technology Park
Wantage
OXON
OX12 9FA

T: 01235 773373
sales@cmsergonomics.com
www.cmsergonomics.com

