



# Concerto by CMS Ergo



## Product Specifications:

Weight capacity :  
20Kg overall 80Kg

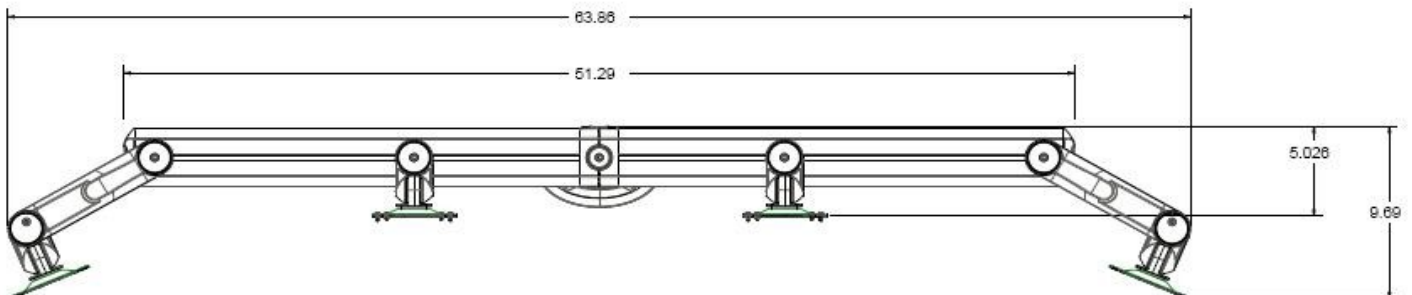
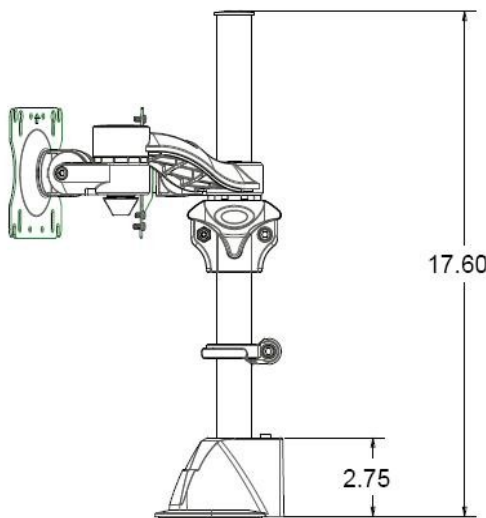
Suggested Screen size :  
Up to 25"

VESA compliance :  
75mm x 75mm  
& 100mm x 100mm

## Product code & description :

**CONMULTCOMB01 - QUAD SCREEN  
BEAM WITH POST MOUNTING**

- Height adjustment ranges up to 378mm
- Outer beam forward extension - 290mm
- Quick release VESA function
- Full range of movement including height adjustment, tilt, rotation and reach on outer beams.
- Full cable management



Ergo  
Downsview House  
The Grove Technology Park  
Wantage  
OXON  
OX12 9FA

T: 01235 773373  
[sales@cmsergonomics.com](mailto:sales@cmsergonomics.com)  
[www.cmsergonomics.com](http://www.cmsergonomics.com)

