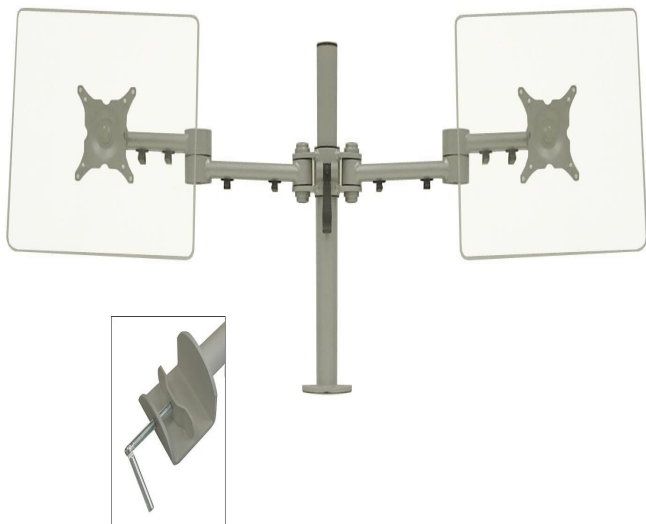
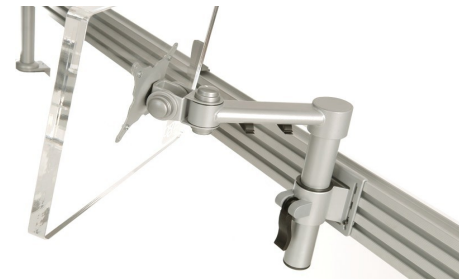




# STREAM RANGE by CMS Ergo



Product Specifications:

Suggested Screen size :  
Up to 23"

Weight capacity :  
20Kg overall 40Kg

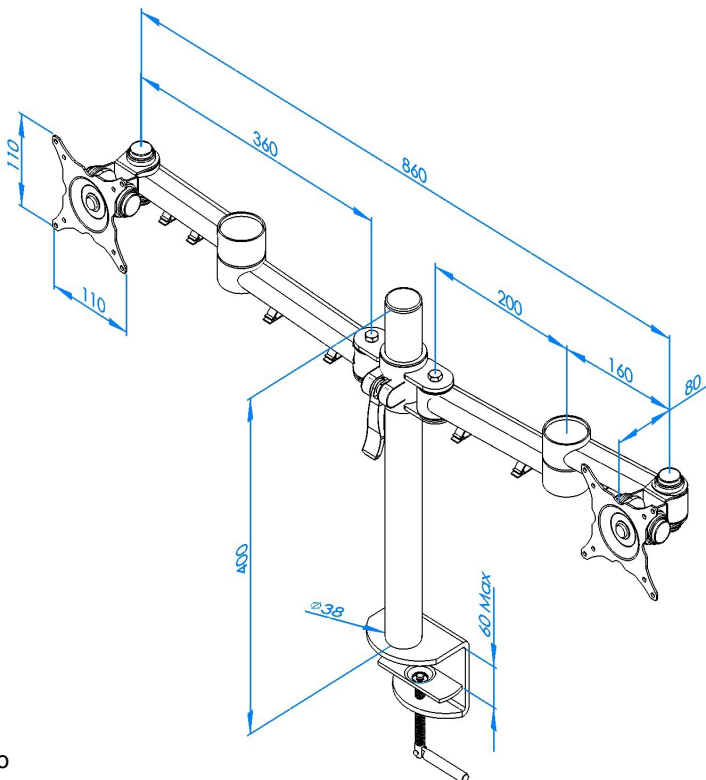
VESA compliance :

75mm x 75mm  
& 100mm x 100mm

Product code & description :

STREAMCOMB06 - Dual Stream desk arm

- Supplied complete with clamp fixing. Through desk fittings available.
- Height adjustment ranges up to 300mm
- Forward extension - 440mm, 860mm apart
- Lockable quick release VESA function
- Full range of movement including height adjustment, tilt, rotation and reach
- Full cable management
- Comes ready assembled for quick and easy installation



Ergo  
Downsview House  
The Grove Technology Park  
Wantage  
OXON  
OX12 9FA

T: 01235 773373  
[sales@cmsergonomics.com](mailto:sales@cmsergonomics.com)  
[www.cmsergonomics.com](http://www.cmsergonomics.com)

